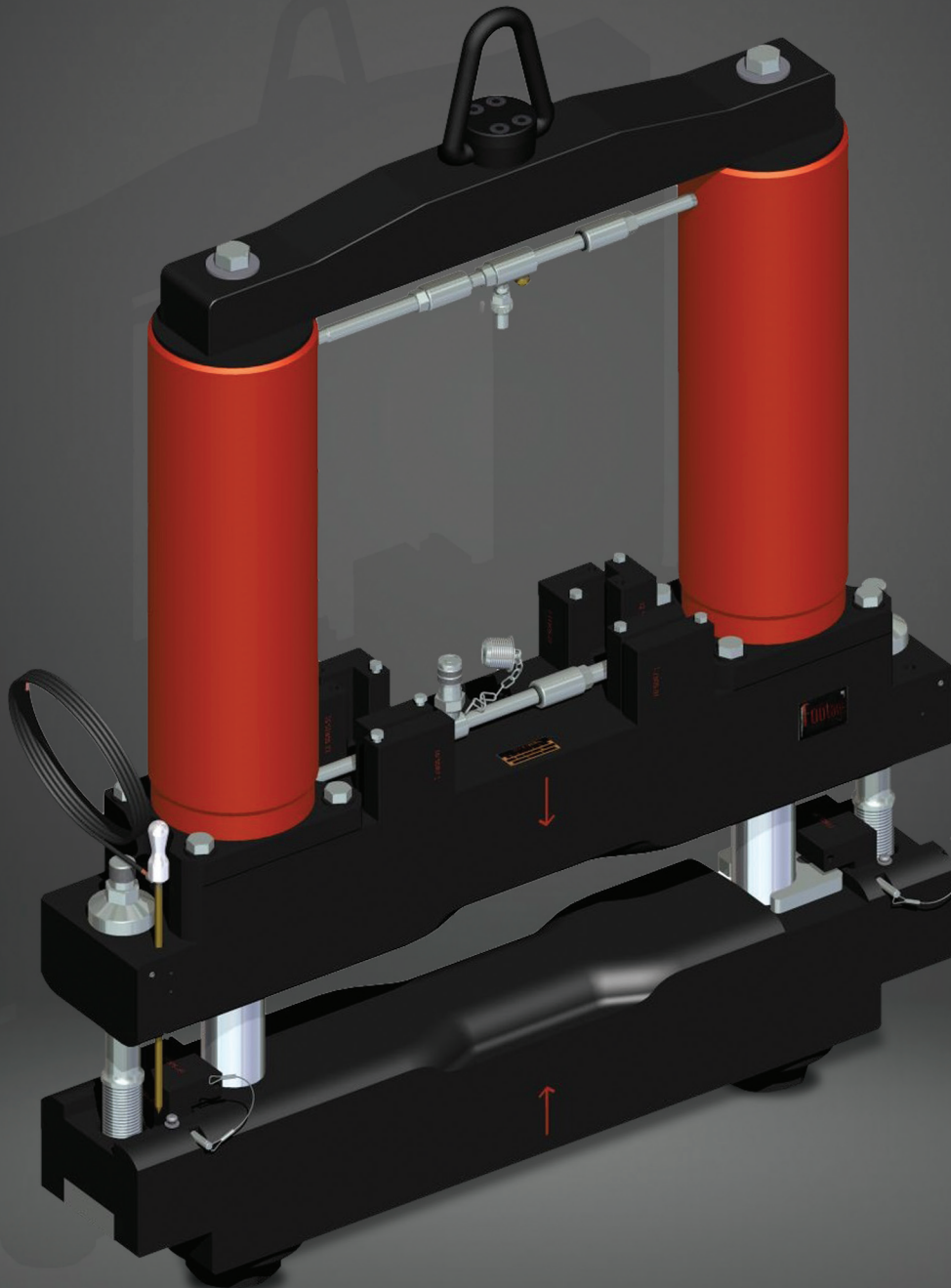


C1600



For **12"** to **16"** PE & HDPE Pipe
1300lbs / Height 51.5" / Width 70"
Pump Required: Model C812S-AK1
ASTM Approved

Block Stop Options

12" (SDR 9, 11, 13.5)

14" (SDR 9, 11, 13.5)

16" (SDR 9, 11, 13.5)

Custom block stop available