

NOTE:
 1.) ASSEMBLE AS PER
 OSWI-C1200-A1
 2.) USE WITH C1200-25 PUMP

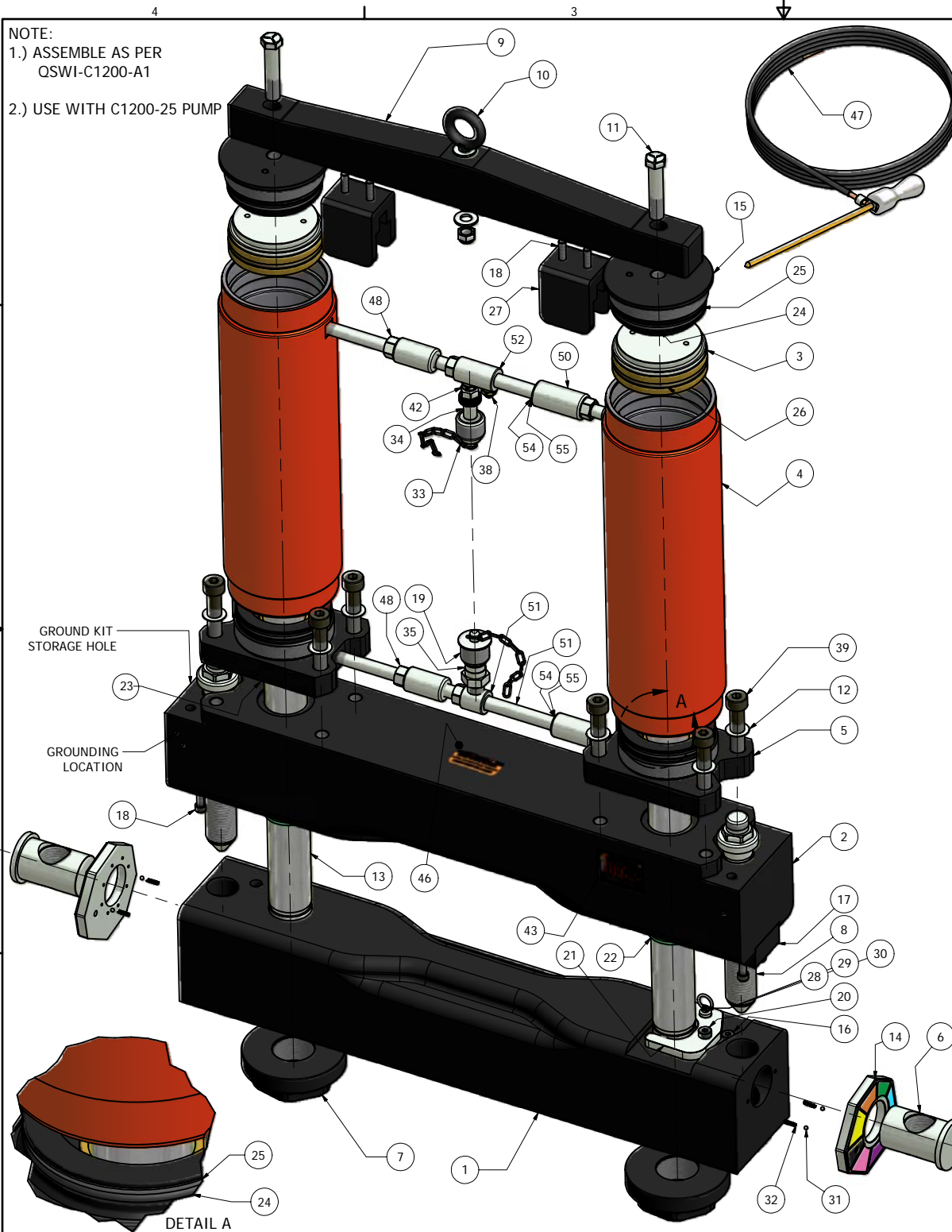
D

C

B

A

A



GROUND KIT
STORAGE HOLE

GROUNDING
LOCATION

DETAIL A

REVISION HISTORY				
REV	DESCRIPTION	ECN	DATE	APPROVED
-	ISSUED FOR PRODUCTION	1855	04SE13	NN
B	CAPTURED REV A & REV B, SEE ECN1916, D2344, ECN1953	1953	21JN16	NN

Parts List				
QTY	PART NUMBER	DESCRIPTION	ITEM	
2	C1200-51	BACK UP RING FOR O-RING#116	55	
2	99-490-00-0116	O-RING #116, 90 DURO	54	
2	99-155-00-0409	PLUNGER - 1/4-20 X 0.56 LG	53	
1	C1200-52	HYD. MANIFOLD - LOW PRESSURE	52	
1	C1200-49	HYD. MANIFOLD	51	
1	C1200-48	HYD. MANIFOLD - LOW PRESSURE	50	
1	C1200-42	HYD. MANIFOLD - HIGH PRESSURE	49	
2	C1200-47	HYD. MANIFOLD	48	
1	C615-HD110	H.D GROUNDING ROD AND CABLE ASSEMBLY 10 FT	47	
1	LABEL-008	WARNING LABEL- OWNERS MANUAL	46	
1	C1200-BOX	CONTAINER FOR C1200 - BOX	45	
1	C1200-BASE	CONTAINER FOR C1200 - BASE	44	
1	LABEL-011	FOOTAGE TOOLS DECAL - NEW	43	
1	99-200-00-0606	NIPPLE, 3/8 MNPT X 3/8 MNPT	42	
1	C1200-46	1-1/2 SOCKET	41	
1	C1200-45	RATCHET	40	
8	99-107-00-1224	SHCS 3/4-16 X 3 LG	39	
1	C648-50	PRESSURE RELIEF VALVE	38	
1	D-30-300	FEMALE HYD. CONNECTOR - THREADED	35	
1	D-31-300	MALE HYD. CONNECTOR - THREADED	34	
1	D-31-300C	METAL DUST CAP FOR MALE CONNECTION	33	
4	C100-21	SPRING	32	
4	99-157-00-0006	CHROME BALL 3/16	31	
1	C200-22	KEY RING	30	
1	C200-19	HITCH PIN LANYARD	29	
1	C1200-78	GUIDING SCREW	28	
2	C1200-28	HOSE GUARD	27	
2	C1200-17	PISTON SEAL TPO 47	26	
4	C1200-16	BACK-UP RING #425	25	
4	99-490-90-0425	O-RING #425 90 DURO	24	
2	C1200-15	ROD SEAL TRO29	23	
2	C1200-18	WIPER SEAL AN-23	22	
1	C1200-10	LOCKING PLATE	21	
1	99-114-00-0610	SHOULDER BOLT 1/2 X 1.25	20	
1	D-30-300C	METAL DUST CAP FOR FEMALE CONNECTION	19	
8	99-106-00-0624	SHCS 3/8-16 X 1.5 LG	18	
2	C1200-14	CONTACT PLATE	17	
2	99-114-00-0522	SHOULDER BOLT 3/8 X 2.75	16	
2	C1200-11	CYLINDER CAP - TOP	15	
2	C1200-09	GAUGE PLATE	14	
2	C1200-04	CYLINDER ROD	13	
8	C1200-50	WASHER, FLAT, BLACK CHROMATE 3/4	12	
2	C1200-43	HEX BOLT 3/4-10UNC X 3.5 LG - BLACK CHROMATE	11	
1	C1200-44	LIFTING EYE ASSEMBLY	10	
1	C1200-13	HANDLE	9	
2	C1200-07	LOCK DOWN BOLT - 12"	8	
2	C1200-06	ROD NUT	7	
2	C1200-08	BARREL NUT	6	
2	C1200-05	CYLINDER CAP - BOTTOM	5	
2	C1200-03	CYLINDER BODY	4	
2	C1200-12	PISTON ASM	3	
1	C1200-02A	UPPER BAR	2	
1	C1200-01	LOWER BAR	1	

DRAWN nguyenj	7/1/2009	FOOTAGE TOOLS INC.		
CHECKED				
QA				
MFG				
APPROVED nguyenj		TITLE C1200-A2 ASSEMBLY DWG		
REMOVE ALL SHARP CORNERS UNLESS SPECIFIED OTHERWISE		SIZE C	DWG NO C1200-A2	REV B
SCALE		SHEET 1 OF 1		