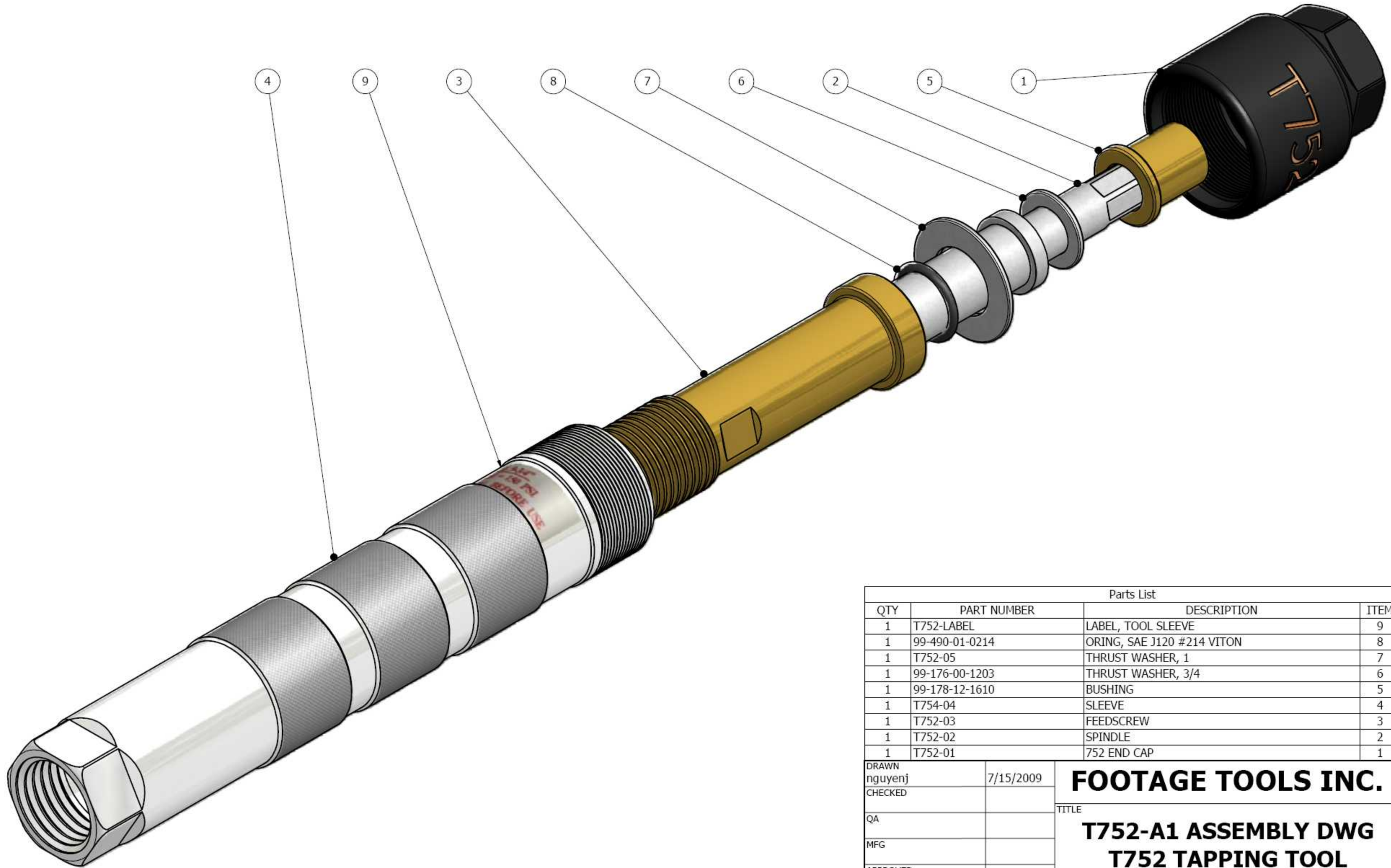


REVISION HISTORY				
REV	DESCRIPTION	ECN	DATE	APPROVED
-	ISSUED FOR PRODUCTION	1712	17FE05	NN



Parts List			
QTY	PART NUMBER	DESCRIPTION	ITEM
1	T752-LABEL	LABEL, TOOL SLEEVE	9
1	99-490-01-0214	ORING, SAE J120 #214 VITON	8
1	T752-05	THRUST WASHER, 1	7
1	99-176-00-1203	THRUST WASHER, 3/4	6
1	99-178-12-1610	BUSHING	5
1	T754-04	SLEEVE	4
1	T752-03	FEEDSCREW	3
1	T752-02	SPINDLE	2
1	T752-01	752 END CAP	1

DRAWN nguyenj	7/15/2009	FOOTAGE TOOLS INC.		
CHECKED				
QA		TITLE		
MFG		T752-A1 ASSEMBLY DWG		
APPROVED nguyenj		T752 TAPPING TOOL		
REMOVE ALL SHARP CORNERS UNLESS SPECIFIED OTHERWISE		SIZE C	DWG NO T752-A1	REV -
		SCALE NTS	SHEET 1 OF 1	