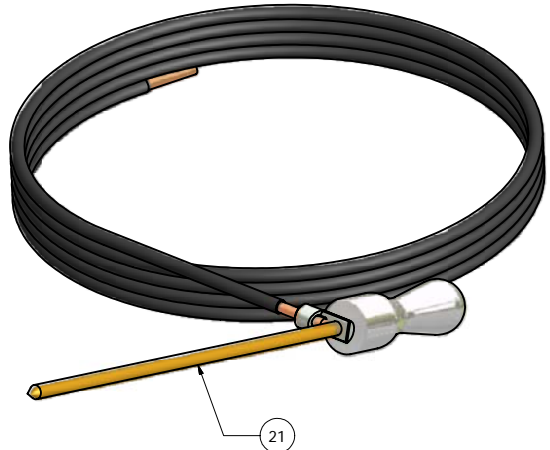
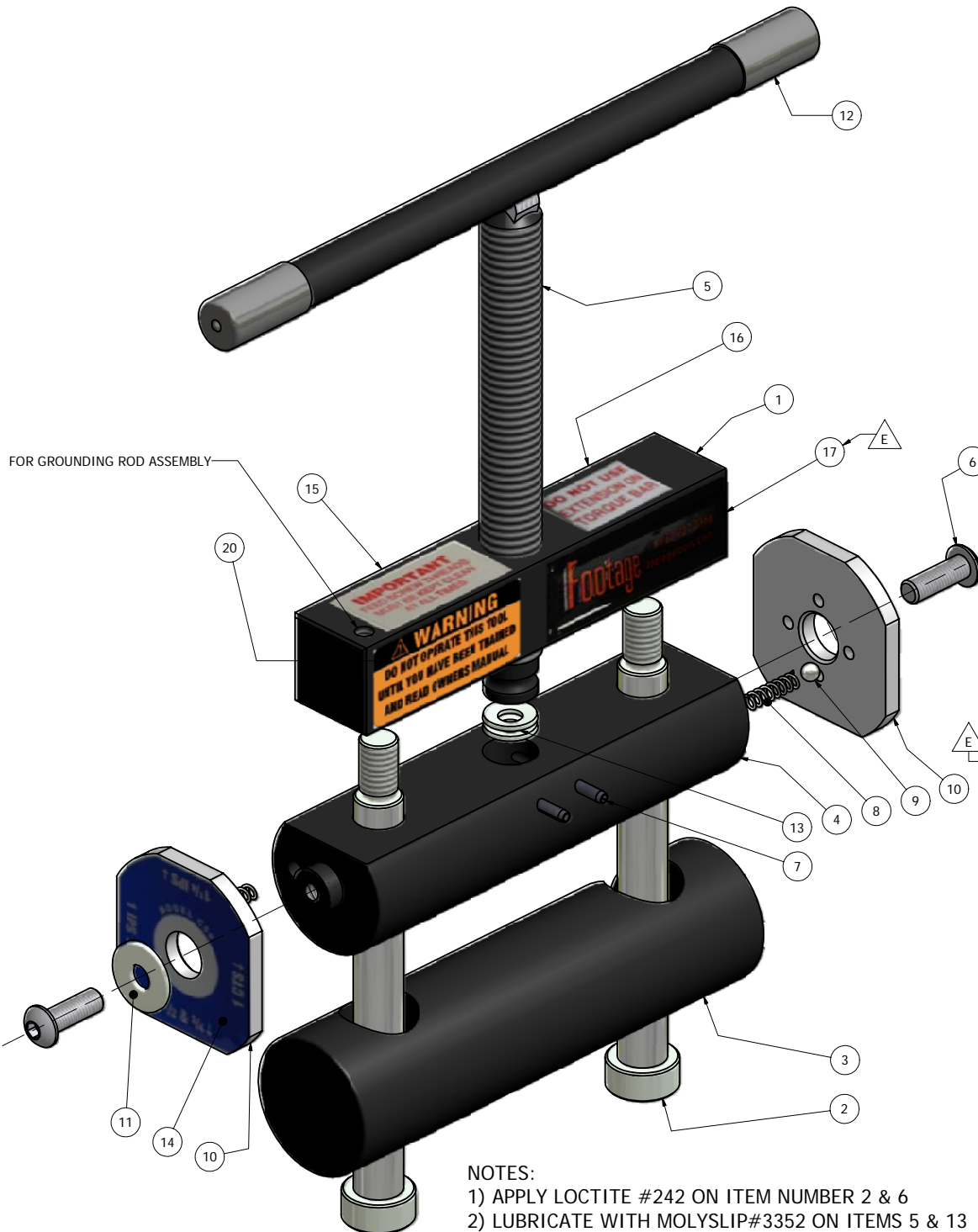


REVISION HISTORY				
REV	DESCRIPTION	ECN	DATE	APPROVED
C	ISSUED FOR PRODUCTION		14AP00	NN
D	ADDED ITEM #20	1813	15JN10	NN
E	ITEM #17 WAS LABEL-01, NOW LABEL-012	1877A	30AP13	JLN



Parts List				
QTY	PART NUMBER	DESCRIPTION	ITEM	
1	C615-A105	GROUNDING TOOL KIT ASM 5FT	21	
1	LABEL-009	LABEL - OWNERS MANUAL	20	
1	-	OWNERS MANUAL - C50	19	
1	BOX-C50	SHIPPING / STORAGE CONTAINER	18	
1	LABEL-012	LABEL, NEW SM FOOTAGE NAME PLATE	17	
1	LABEL-001	LABEL, DO NOT USE EXTENSION	16	
1	LABEL-00	LABEL, FEED SCREW	15	
2	C50-08	GAUGE PLATE LABEL	14	
2	C50-10	SPRING WASHER	13	
2	C50-23	END CAP	12	
2	C50-11	WASHER	11	
2	C50-07	GAUGE PLATE	10	
2	99-157-00-0006	CHROME BALL, 3/16"	9	
2	C100-21	SPRING	8	
2	99-163-00-0816	ROLL PIN, 1/8 X 1" LG	7	
2	99-104-00-0408	BHCS, 1/4-20 X 1/2" LG	6	
1	C50-06	POWER SCREW ASM	5	
1	C50-02	SLIDING BAR	4	
1	C50-03	STATIONARY BAR	3	
2	C50-09	SIDE SHAFT - PLATED	2	
1	C50-01	TOP BAR	1	

NOTES:
 1) APPLY LOCTITE #242 ON ITEM NUMBER 2 & 6
 2) LUBRICATE WITH MOLYSLIP#3352 ON ITEMS 5 & 13

DRAWN nguyenj	6/3/2009	FOOTAGE TOOLS INC.		
CHECKED		TITLE		
QA		C50-A1 ASSEMBLY DWG		
MFG		1/2 - 1 - 1/4" SQU. OFF TOOL		
APPROVED nguyenj		SIZE C	DWG NO C50-A1	REV E
REMOVE ALL SHARP CORNERS UNLESS SPECIFIED OTHERWISE		SCALE NTS	SHEET 1 OF 1	