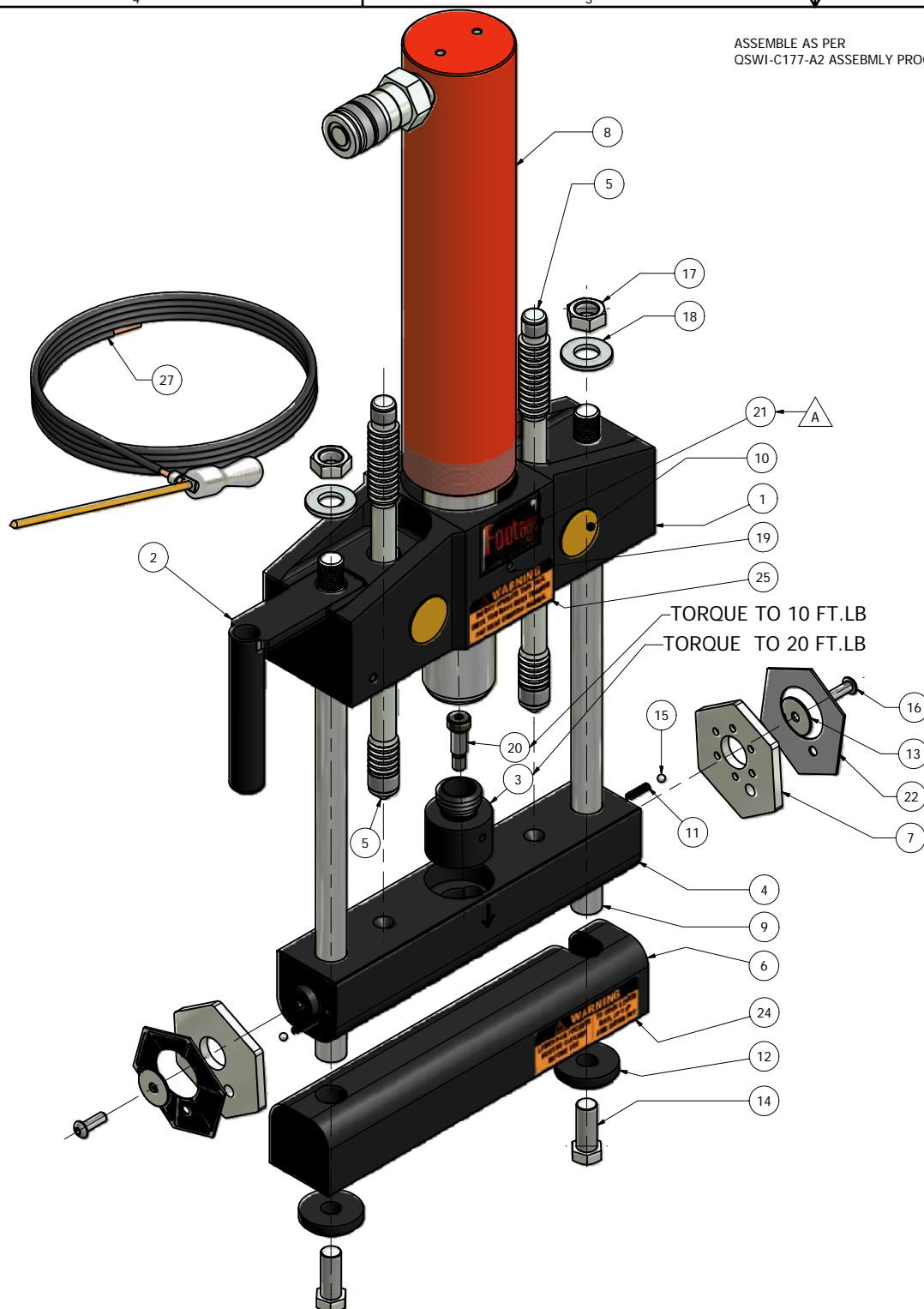


ASSEMBLE AS PER
QSWI-C177-A2 ASSEMBLY PROCEDURE



REVISION HISTORY

REV	DESCRIPTION	ECN	DATE	APPROVED
A	ITEM # 21 LABEL-010 WAS LABEL-003	1879	01MY13	NN

Parts List

QTY	PART NUMBER	DESCRIPTION	ITEM
1	C615-HD110	GROUNDING ROD AND CABLE ASSEMBLY	27
1	-	OWNERS MANUAL - C177	26
1	LABEL-008	LABEL - OWNERS MANUAL	25
2	LABEL-007	LOWER BAR INSTRUCTION STICKER	24
1	C177-BOX	SHIPPING / TRANSPORT CONTAINER	23
2	C098-13	GAUGE PLATE LABEL	22
1	LABEL-010	FOOTAGE TOOLS LABEL NEW	21
1	99-114-00-0612	SHOLDER SCREW 3/8 X 1 1/2" LG	20
2	99-150-01-0406	SHSS 1/4-20 X 3/8" LG STAINLESS STEEL	19
2	99-140-00-0010	LOCK WASHER 5/8	18
2	99-121-08-0010	HEX NUT 5/8-18UNF GR.8	17
2	99-104-00-0408	BHCS 1/4-20 X 1 1/4	16
2	99-157-00-0006	CHROME BALL 3/16	15
2	99-101-08-0810	HHCS .5 20 X 1.25 GR8	14
2	99-145-00-0004	WASHER, FENDER 1/4"	13
2	C219-12	END WASHER, 3/8 THICK	12
2	C100-21	SPRING	11
2	C124-11	BARREL NUT	10
2	C161-13	SIDE SHAFT	9
1	C148-13	HYD. RAM, 15 TON, REWORKED	8
2	C098-11	GAUGE PLATE	7
1	C159-13	STATIONARY BAR	6
2	C154-11	LOCK DOWN BOLT	5
1	C177-02	SLIDING BAR	4
1	C180-04	BOSS	3
1	C176-1	HANDLE	2
1	C177-01	TOP BAR	1

DRAWN nguyenj	6/15/2009
CHECKED	
QA	
MFG	
APPROVED nguyenj	
REMOVE ALL SHARP CORNERS UNLESS SPECIFIED OTHERWISE	

FOOTAGE TOOLS INC.

TITLE
C177-A1 ASSEMBLY DWG
4" HYD. SQUEEZE OFF TOOL

SIZE: C DWG NO: C177-A2 REV A REV: A

SCALE: NTS SHEET 1 OF 1